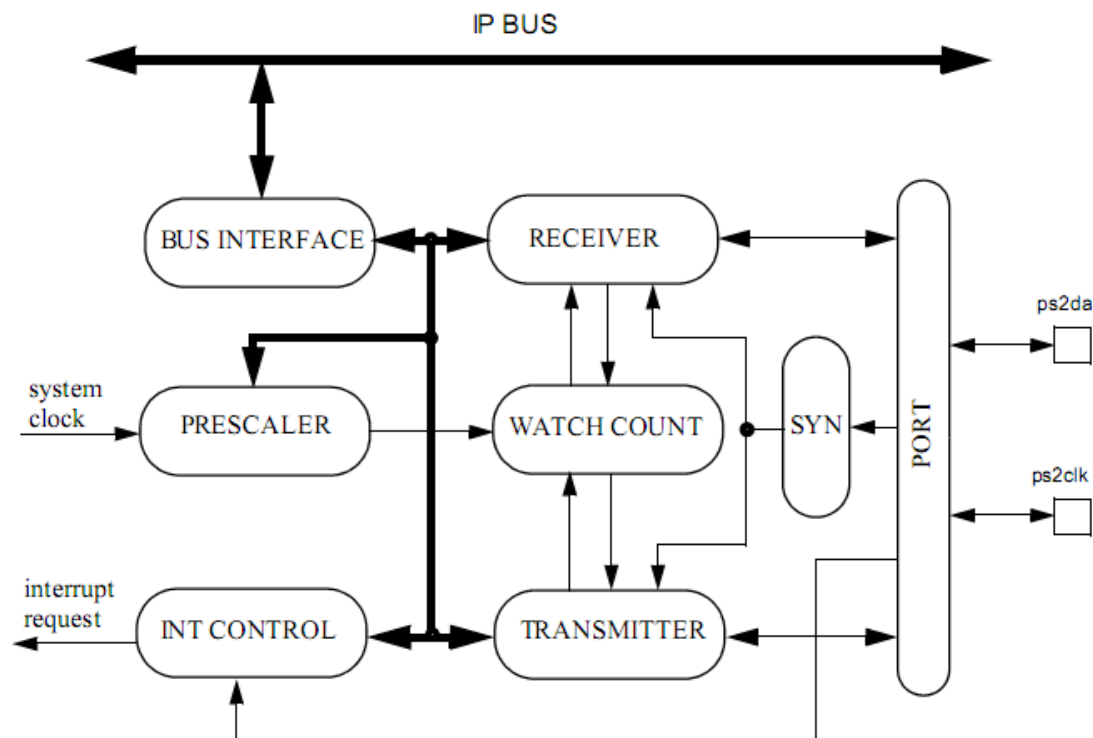


PS2 Module

Summary

The PS/2 host controller (PS2HC) module is used to communicate with the PS/2 mode devices, such as the PS/2 keyboard and the mouse. The PS2HC is fully implemented by the hardware logic so that it is convenient to be used.



PS2 Block Diagram

Features

- 11-bit data format(1-bit start, 8-bit data, 1-bit parity, 1-bit stop)
- Separate transmitter and receiver
- Interrupt-driven operation with nine flags of the normal communication:
 - Output Buffer Empty
 - Transmit Complete
 - Input Buffer Full
 - Packet Transmit Timeout
 - Respond Transmit Request Timeout
 - Respond Command Timeout
 - Parity Error
 - Frame Error
 - Acknowledge Bit Miss
- Support the doze and the stop low-power modes
- Wakeup function from the low-power modes
- General-purpose I/O capability

*To obtain more information about the PS2 or other C*Core™ products, please contact the C*Core Technology Co., Ltd. by phone: 0512-68091377, email: support@china-core.com or web: <http://www.china-core.com>.*

*C*Core™ is a trade mark of C*Core Co., Ltd.*