

# INTCTL

## Interrupt Control Module

### Summary

The interrupt controller collects requests from multiple interrupt sources and provides an interface to the processor core interrupt logic.

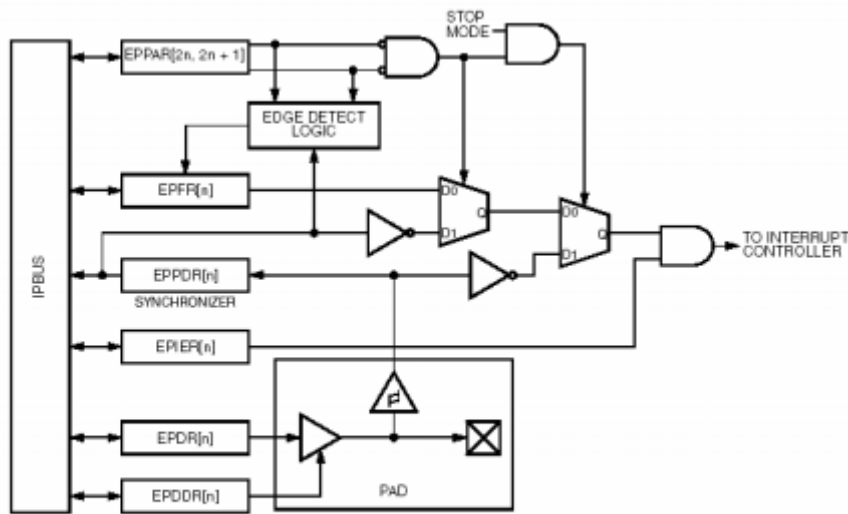


Figure 1-1 EPORT Block Diagram

### Features

- Up to 40 interrupt sources
- 32 unique programmable priority levels for each interrupt source
- Independent enable/disable of pending interrupts based on priority level
- Normal or fast interrupt request selection for each priority level
- Fast interrupt requests priority over normal interrupts
- Ability to mask interrupts at and below a defined priority level
- Ability to select between autos vectored or vectored interrupt requests
- Vectored interrupts generated based on priority level
- Ability to generate separate vector numbers for normal and fast interrupts
- Ability of software to self-schedule interrupts
- Software visibility of pending interrupts requests and interrupt signals to core
- Asynchronous operation to support wakeup from low-power modes

To obtain more information about the INTCTL or other C\*Core™ products, please contact the C\*Core Technology Co., Ltd. by phone: 0512-68091377, email: [support@china-core.com](mailto:support@china-core.com) or web: <http://www.china-core.com>.

C\*Core™ is a trade mark of C\*Core Co., Ltd.